

A17T23SWBMT0

high temperature resistant AC fans

> CONTACT US



Axial fans provide forced-air cooling solution to temperature-sensitive applications. Compact fans with AC shaded pole or capacitor and DC brushless motor are designed for ventilation and spot cooling of internal machinery components, especially in areas in confined spaces. Available also versions tested to withstand harsh environmental conditions (IP55, IP68, all metal and HTR fans).

Technical data		
APPROVALS		
Approvals	CE; cURus	
PERFORMANCE		
Max Airflow	382/433 225/255	m ³ /h CFM
Max Static Pressure	124/124 0.50/0.50	Pa in H ₂ O
RPM	2750/3150 RPM	
ELECTRICAL DATA		
Rated Voltage	230	V a.c.
Rated Current	0.27/0.25 A	
Rated Power	45/45 W	
Operating Voltage	207-253 V a.c.	
Frequency	50/60 Hz	
Appliance Class	I	
Insulation Class	F	
Motor Protection	Thermally Protected	
MECHANICAL DATA		
Bearing	Ball Bearing	
GENERIC DATA		
Casing Material	Die-Casting Aluminium	
Airflow Direction	Air intake over brackets	

Image is for illustrative purpose only. All specifications, data and drawing are subject to change without notice. Please refer to our terms of sales including our warranty and limited liabilities clauses.

A17T23SWBMT0

high temperature resistant AC fans

> CONTACT US

VENTILATION SYSTEMS

Technical data		
Electrical Connection	Wires	
Life Expectancy	40000	h at 40 °C
	40000	h at 104 °F
Fan Noise	58/61	dB(A)
Cable Length	350	mm
	13.78	in
Fixing System	Screws	
ENVIRONMENTAL AND THERMAL DATA		
IP Protection Degree	IP44	
Operating Temperature	-40÷90	°C
	-40÷194	°F
Storage Temperature	-40÷90	°C
	-40÷194	°F
UL DATA		
UL File Number Recognized Component	E223195	

Image is for illustrative purpose only. All specifications, data and drawing are subject to change without notice. Please refer to our terms of sales including our warranty and limited liabilities clauses.

A17T23SWBMT0

high temperature resistant AC fans

> CONTACT US

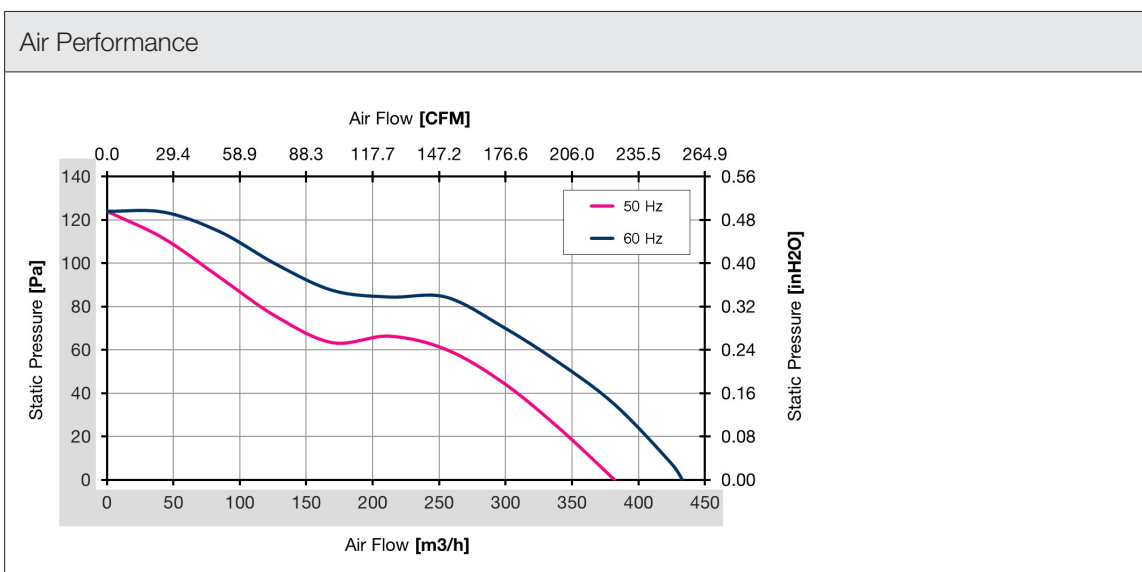
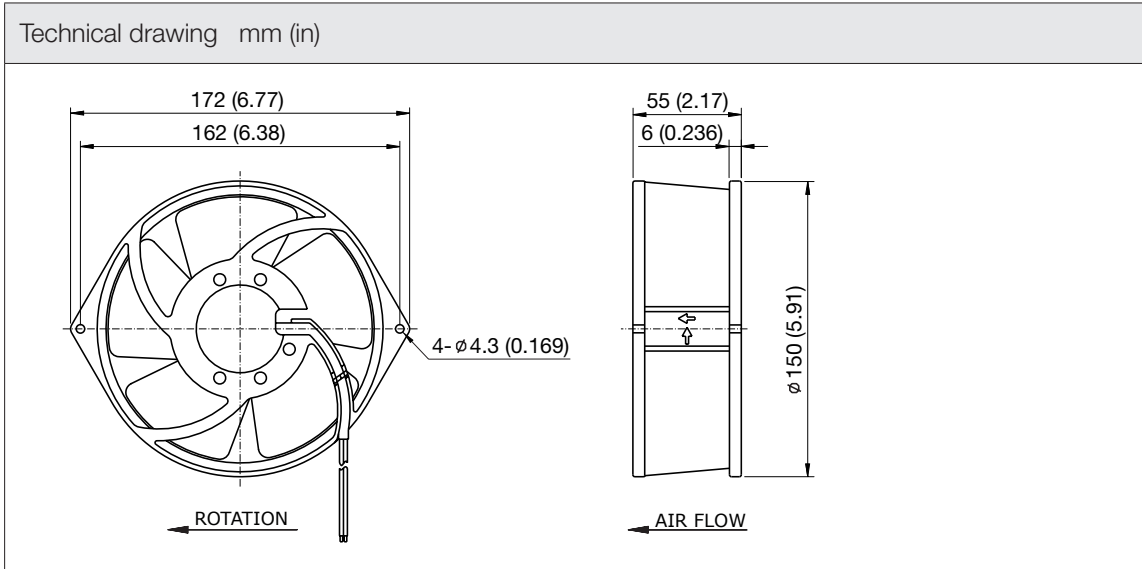


Image is for illustrative purpose only. All specifications, data and drawing are subject to change without notice. Please refer to our terms of sales including our warranty and limited liabilities clauses.