

FPF08KU230B-110

standard with fan

> CONTACT US



FPF series exhaust filter and filter fans represents a side-mounted cooling solution with filtered ambient air to maintain optimum ventilation inside the electrical cabinets. These units have a flat external profile and a quick snap-on fastening system with elastic hooks. Available in different range of sizes, airflow ratings and configurations.

| Technical data | | |
|--------------------------|---------------------|---------------------|
| APPROVALS | | |
| Approvals | CE; cURus; UKCA | |
| PERFORMANCE | | |
| Max Airflow | 23/30 | m ³ /h |
| | 14/18 | CFM |
| Max Static Pressure | 42/62 | Pa |
| | 0.17/0.25 | in H ₂ O |
| ELECTRICAL DATA | | |
| Rated Voltage | 230 | V a.c. |
| Rated Current | 0.07/0.055 | A |
| Rated Power | 10/8 | W |
| Operating Voltage | 207-253 | V a.c. |
| Frequency | 50/60 | Hz |
| Appliance Class | I | |
| Motor Protection | Impedance Protected | |
| MECHANICAL DATA | | |
| Mounting Wall Thickness | 1.5-2.2 | mm |
| | 0.06-0.09 | in |
| Bearing | Ball Bearing | |
| GENERIC DATA | | |
| Spare Parts Filter Media | M08FPF | |
| RAL Number | 7035 | |

Image is for illustrative purpose only. All specifications, data and drawing are subject to change without notice. Please refer to our terms of sales including our warranty and limited liabilities clauses.

FPF08KU230B-110

standard with fan

> CONTACT US

| Technical data | | |
|-------------------------------------|---|------------|
| Airflow Direction | Direct | |
| Electrical Connection | Wires | |
| Life Expectancy | 50000 | h at 20 °C |
| | 50000 | h at 68 °F |
| Wires Section | 22 | AWG |
| Fan Noise | 33/38 | dB(A) |
| Filter Class | G3 | EN 779 |
| Filter Class | ISO coarse 55% | ISO 16890 |
| Filter Material | thermo-linked progressive structure synthetic fibre | |
| ENVIRONMENTAL AND THERMAL DATA | | |
| IP Protection Degree | IP54 | |
| Operating Temperature | -10÷50 | °C |
| | 14÷122 | °F |
| Storage Temperature | -40÷70 | °C |
| | -40÷158 | °F |
| UL DATA | | |
| UL File Number Recognized Component | E237844 | |
| UL Environmental Type Rating | Type 12 | |
| UL Ambient Temperature | 50 | °C |
| | 122 | °F |

Image is for illustrative purpose only. All specifications, data and drawing are subject to change without notice. Please refer to our terms of sales including our warranty and limited liabilities clauses.

FPF08KU230B-110

standard with fan

> CONTACT US

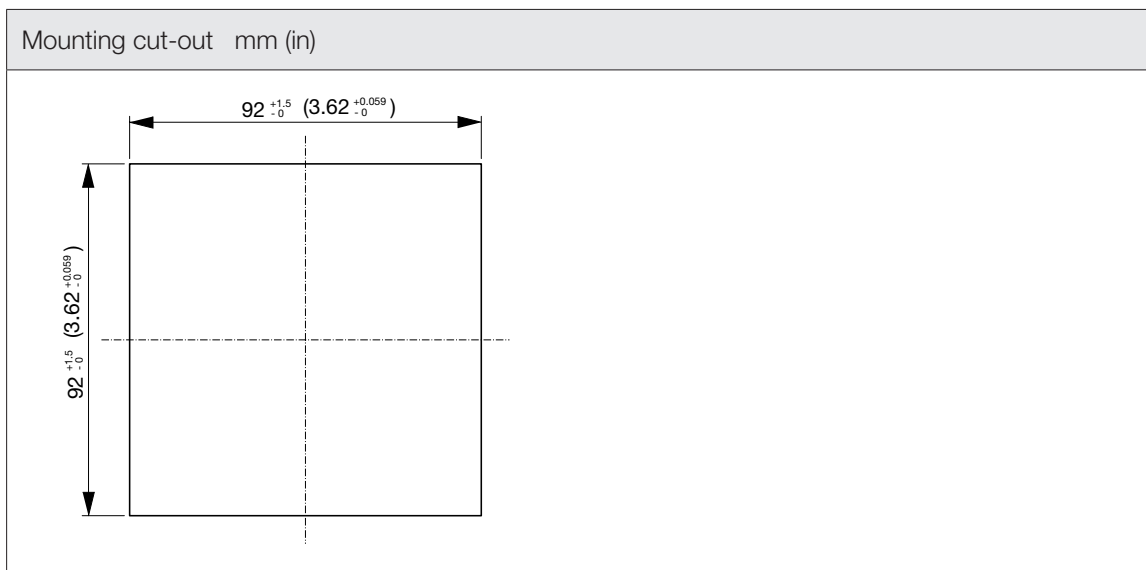
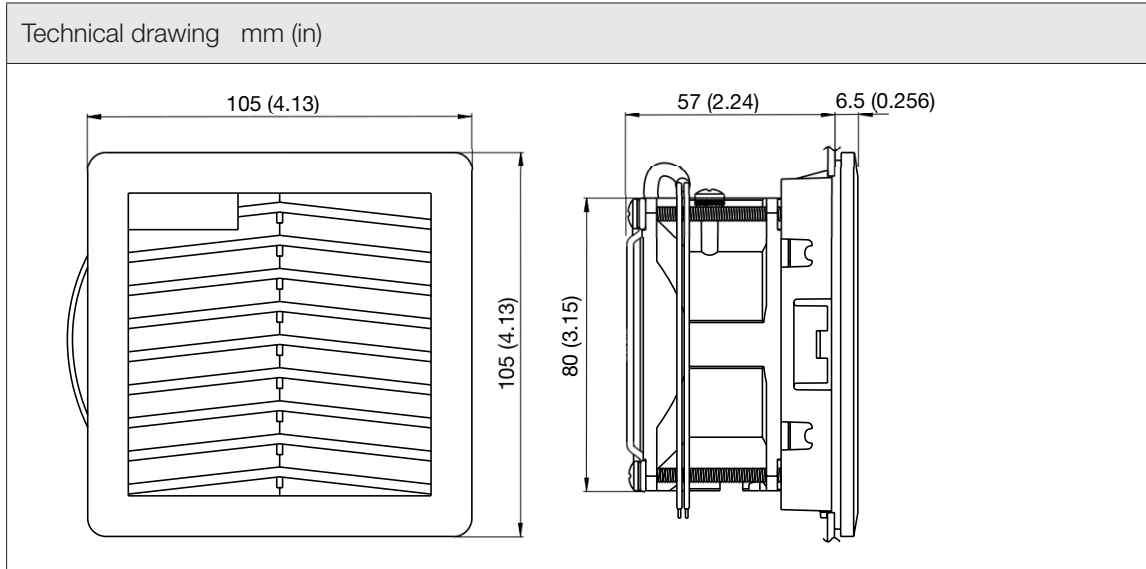


Image is for illustrative purpose only. All specifications, data and drawing are subject to change without notice. Please refer to our terms of sales including our warranty and limited liabilities clauses.

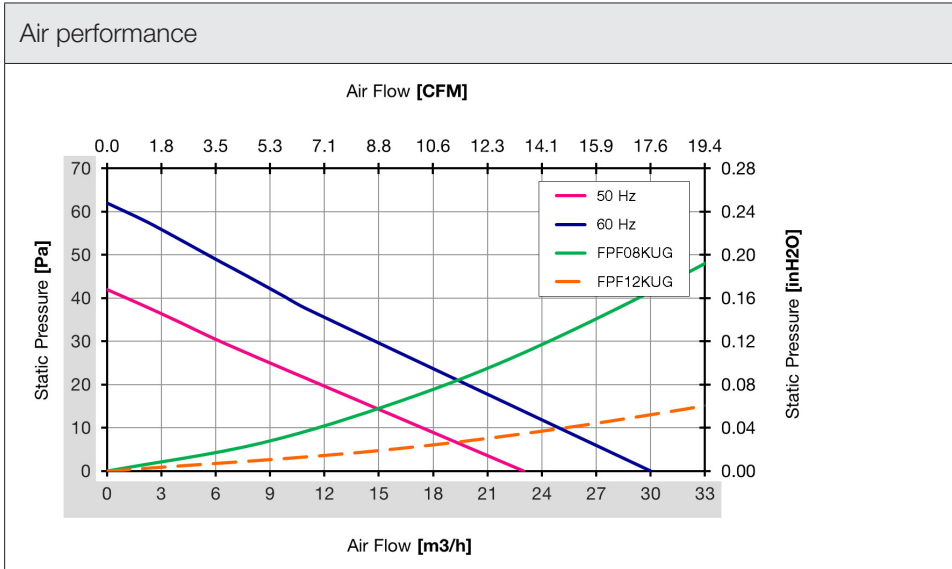


Image is for illustrative purpose only. All specifications, data and drawing are subject to change without notice. Please refer to our terms of sales including our warranty and limited liabilities clauses.