

TRT-230V-S01

mechanical change over

> CONTACT US



Fandis thermostats provide a reliable solution for accurate temperature control in protecting sensitive electronic components. Available with normally closed, normally open or change-over contacts, these mechanical regulators are used with ventilation or heating products to keep the desired thermal conditions inside the enclosure.

Technical data		
APPROVALS		
Approvals	CE; UKCA	
ELECTRICAL DATA		
Rated Voltage	230	V a.c.
Rated Current	Heating a.c. 10(4) -Cooling a.c. 5(2)	
Appliance Class	II	
Max Contact Current	10	A
GENERIC DATA		
Accuracy	± 3	K
Casing Material	PC/ABS	
RAL Number	7035	
Sensor Type	Bi-Metal	
Setting Range	5÷60	°C
	41÷140	°F
Setting Resolution	5	°C
	41	°F
Electrical Connection	Terminal Block	
Life Expectancy	100000	Cycles
Rated Hysteresis	7	K
Wires Section	0.75-2.5	mm ²
Wires Section	18-14	AWG
Fixing System	DIN rail	

Image is for illustrative purpose only. All specifications, data and drawing are subject to change without notice. Please refer to our terms of sales including our warranty and limited liabilities clauses.

TRT-230V-S01

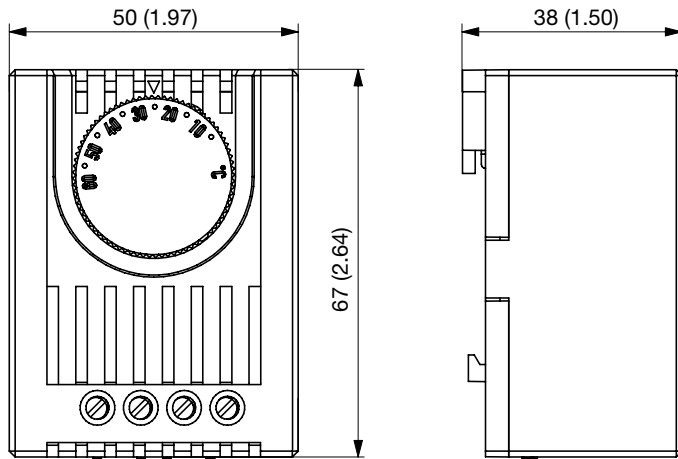
mechanical change over

> CONTACT US

Technical data		
ENVIRONMENTAL AND THERMAL DATA		
IP Protection Degree	IP30	
Operating Temperature	0÷60	°C
	32÷140	°F
Storage Temperature	-10-65	°C
	14-149	°F

Image is for illustrative purpose only. All specifications, data and drawing are subject to change without notice. Please refer to our terms of sales including our warranty and limited liabilities clauses.

Technical drawing mm (in)



Wiring Diagram

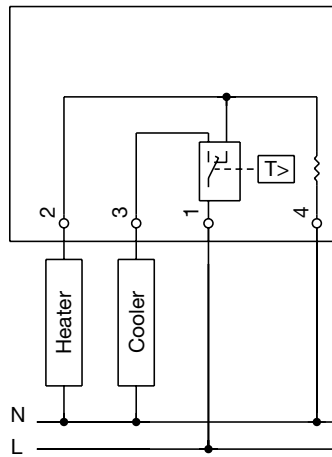


Image is for illustrative purpose only. All specifications, data and drawing are subject to change without notice. Please refer to our terms of sales including our warranty and limited liabilities clauses.