



Vertiv™ Liebert®

GXT5 UPS

750 VA to 3 kVA

Intelligent, Versatile, and
Reliable Power Protection for
Your Critical Applications



Intelligent and Efficient UPS for Protection of Your Mission-Critical Applications

The Vertiv™ Liebert® GXT5 UPS is an online double conversion UPS solution which offers premium power outage protection and continuous power conditioning in a compact and flexible rack/tower form factor.

The Vertiv Liebert GXT5 single phase UPS operates with high power efficiency, making it ideally suited to protect critical infrastructure in both centralized and edge network applications.

Scalable runtime options with matching external battery cabinets offer additional flexibility when extended uninterrupted power is required. Plus, the Liebert® GXT5 provides battery health status and replacement date prediction for intelligent battery health management.

The UPS system is easy to deploy and maintain due to its user-friendly LCD interface and remote management capabilities supported by the Vertiv™ RDU101 communications card which makes the Liebert GXT5 compatible with infrastructure management solutions such as Vertiv™ LIFE Services, environmental sensors, Vertiv™ Power Insight, and more.

With market leading efficiency and unity power factor operation, the Liebert GXT5 will meet your critical application needs. You can rest assured that your business is protected with this Vertiv solution.

Vertiv Liebert GXT5 Features

Leading UPS Technology

- High output PF = 1.0
- Full color graphic LCD display with gravity sensing
- Individually programmable outlets for power-cycling hung equipment and to optimize battery runtime for critical applications
- External battery cabinets with auto-detection
- Battery health status and replacement date prediction
- Remote management, update and configuration
- Optimized thermal management and variable speed fan

Efficient and Green Product

- High efficiency (up to 94%) in online mode
- Even higher efficiency (up to 98%) in ECO mode
- Programmable outlets for scheduled shutdown of equipment that is not in use, resulting in significant power savings
- RoHS and REACH compliance

What's in the box

- Liebert GXT5 UPS
- Quick Installation Guide and Safety Instructions
- USB type A to B cable (2m)
- RS232 cable (1.8 m)
- Adjustable 4-post rack mounting kit with screws, ears and hardware
- Stabilizing feet for tower configuration
- 2 x IEC C13 to C14 output cables (2 m) for 750 - 1000 - 1500 VA; 3 cables for 2000 - 3000 VA
- Input power cables (UK, AUS, Schuko) for 2000 - 3000 VA (2.5 m)
- Free [Vertiv Power Assist](#) software for local UPS status and shutdown, or [Vertiv Power Insight](#) for remote network management

Solutions Wide

- Compact Rack / Tower design
- Broad range of services and extended warranties
- Easy to install, configure and operate
- Vertiv™ Power Insight management software
- Optional Vertiv RDU101 network card with advanced features for UPS management
- Compatibility with environmental sensors
- Integrated dry-contacts with selectable definition
- Serial port for out-of-band management with Avocent Serial Consoles
- Automatic internal bypass and optional external maintenance bypass

Vertiv™ Liebert® GXT5 Highlights



High power factor (PF=1.0)

More usable power enables more connected loads saving space and cost.



Efficiency (up to 98%) in ECO mode

Superior protection with maximum efficiency.

Efficiency (up to 94%) in online mode



Higher efficiency means an optimized energy management and lower heat dissipation, thus providing energy savings and improved reliability.

Colored graphic LCD display with gravity orientation



User friendly interface provides insight to UPS status for easy installation, configuration and operation.

Compact rack/tower design



Space-saving UPS provides rack space optimization and flexible installation.



Battery cabinets with auto-detection*

Be confident your UPS is set up correctly to report available run time when used with external battery cabinets.

Comprehensive service offering

Comprehensive service coverage service a standard 3 years exchange warranty



How You Benefit from the Liebert® GXT5 UPS

Designed for high availability



- With **individually controlled output sockets**, you can manage power to individual devices without impacting other critical network equipment operation
- Minimum downtime of the device provided by **hot-swappable, user-replaceable battery** modules which can be changed during operation
- **Automatic self-test**
- **Extended runtimes** provided by the addition of external battery cabinets
- **Improved battery care** by temperature compensated battery charging
- **Intelligent battery health management** ensures a longer service life (optimized battery maintenance and replacement when needed)

User-friendly installation and operation



- Easy to read, gravity sensing **graphical color display**
- **Intuitive user interface**, local configuration and management
- Support for the new Vertiv suite of **remote management tools** (Vertiv™ Power Insight, RDU101 network interface card and serial connectivity support)
- **Autodetection of external battery cabinets** enables faster deployment and accurate runtime information
- **Remote UPS firmware upgrade** capability ensures your UPS has the latest features and enhancements

Optimized energy and capacity management



- ECO operating mode with **up to 98% efficiency**
- **Efficiency** in online double conversion mode up to 94%
- The **higher power factor (1.0)** ensures the connection of more loads and IT equipment
- **4 individually programmable output sockets** can be used to extend runtime for the most critical loads and smart disconnection of the less critical ones

Seamless connectivity



- Four onboard, user-definable dry contact I/O for **integration of support management systems**
- Supports **SNMP, web, and environmental sensors** with the optional RDU101 communications card
- **Serial connection** for integration of Avocent® ACS product or direct serial management and control of the UPS

Technical Specifications

Model Number	GXT5-750IRT2UXL	GXT5-1000IRT2UXL	GXT5-1500IRT2UXL	GXT5-2000IRT2UXL	GXT5-3000IRT2UXL
Ratings (VA/W)	750 VA / 750 W	1000 VA / 1000 W	1500 VA / 1500 W	2000 VA / 2000 W	3000 VA / 3000W
Dimensions and Weight					
Dimensions (mm) Unit, D×W×H	400×430×85		470×430×85		540×430×85
Unit Weight (kg)	16.5		21		28.2
Input					
Rated Voltage	230 VAC				
Rated Frequency	50 Hz / 60 Hz				
Frequency Range	40 to 70 Hz				
Power Factor	≥0.99				
Input Power Cord	C14			C20	
Output					
Nominal Voltage	200/208/220/230/240 VAC				
Waveform	Sine wave				
Inverter Overload Capability	>200% minimum 250 ms, 150 to 200% for 2 seconds; 125 to 150% for 50 seconds; 105 to 125% for 60 seconds			>200% minimum 250 ms, 150 to 200% for 2 seconds; 105 to 150% for 55 seconds;	
Efficiency in Online Mode	Up to 93%			Up to 94%	
Active Eco Mode	Up to 98%				
Output Receptacles	(8) EN60320/C13			(6) EN60320/C13; (1) EN60320/C19	
Internal Battery					
Rated Voltage	36 Vdc		48 Vdc		72 Vdc
Charger Current	Nominal 2.2 A; Maximum 8 A				
Type	Valve-regulated, non-spillable, lead acid				
Qty x V x Rating	3 x 12 V x 9.0 Ah		4 x 12 V x 9.0 Ah		6 x 12 V x 9.0 Ah
End Cell Voltage	1.67 V/cell (discharge voltage per cell will be from 1.67 Vdc to 1.90 Vdc)				
Floating Voltage	Equalize charge: 2.35 V/cell; Float charge: 2.27 V/cell				
Battery Voltage Range	30 Vdc to 42.3 Vdc		40 Vdc to 56.4 Vdc		60 Vdc to 84.6 Vdc
General					
Operating Temperature, °C	Full power up to 40 °C (up to 50 °C with derating)				
Storage Temperature, °C	-20 to 60 (contain batteries will be from -15 to 40 °C.)				
Relative Humidity	0 to 95% non-condensing				
Operating Elevation	Up to 3,000 m at 25°C without derating				
Audible Noise	<46 dBA max @ 3 ft. (1 m) front and sides <43 dBA max @ 3 ft. (1 m) rear		<46 dBA max @ 3ft. (1 m) front and sides <45 dBA max @ 3 ft. (1 m) rear		<48 dBA max @ 3ft. (1m) front and sides <48 dBA max @ 3 ft. (1 m) rear
Safety	CE, UL-1778 (Fifth Edition), C-UL listed, IEC 62040-1: 2008 (First Edition) + Am 1:2013, EN 62040-1:2008+A1:2013				
RFI/EMI	CISPR22 Class A (RFI)/ FCC Part 15 (Class A)				
Transportation	ISTA Procedure 1A				
Surge Immunity	ANSI C62.41 Category B				

Note: *Specification are subject to change without any further notification

Optional Accessories

External battery cabinets

UPS	External Battery Cabinets
GXT5-750IRT2UXL	GXT5-EBC36VRT2U
GXT5-1000IRT2UXL	GXT5-EBC36VRT2U
GXT5-1500IRT2UXL	GXT5-EBC48VRT2U
GXT5-2000IRT2UXL	GXT5-EBC48VRT2U
GXT5-3000IRT2UXL	GXT5-EBC72VRT2U



External Battery Cabinet	Dimensions (D x W x H), mm	Weight, kg
GXT5-EBC36VRT2U	400 x 430 x 85 (Unit)/617 x 570 x 262 (Shipping)	22.6 (Unit)/28.8 (Shipping)
GXT5-EBC48VRT2U	470 x 430 x 85 (Unit)/617 x 570 x 262 (Shipping)	22.6 (Unit)/28.8 (Shipping)
GXT5-EBC72VRT2U	540 x 430 x 85 (Unit)/717 x 570 x 262 (Shipping)	41.2 (Unit)/47.6 (Shipping)

Network communications and environmental sensors

Optional Intellislot cards are compatible with all Liebert® GXT5 systems.



Network Communications	RDU101	Intellislot web card for SNMP and web management. Supports environmental sensors.
Environmental Sensors	SN-Z01	Integrated cable with single temperature sensor
	SN-Z02	Integrated cable with three temperature sensors
	SN-Z03	Integrated cable with three temperature and one humidity sensors
	SN-T	Modular with single temperature sensor
	SN-TH	Modular with single temperature and single humidity sensor

MicroPOD - Maintenance bypass and output distribution

The Liebert® MicroPOD (Power Output Distribution) is a maintenance bypass option for UPS products, 3kVA and below. It allows removal of the UPS without powering down the connected equipment.



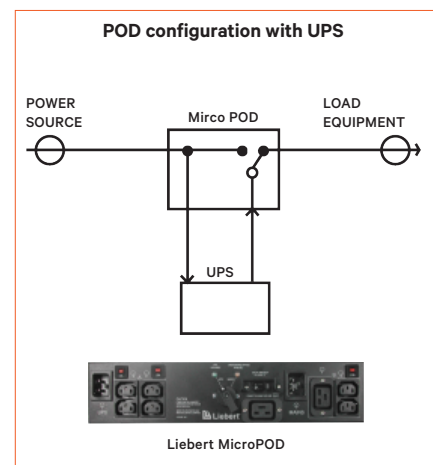
UPS VA rating	POD model number	Output receptacles	Plug to utility
750-1500VA UPS	MP2-210K	4+4 IEC60320-C13	IEC60320-C14
2000VA UPS	MP2-210K	4+4 IEC60320-C13	IEC60320-C14
3000VA UPS	MP2-220L/PD5-20AC20	2+2+2 IEC60320-C13 & 1 IEC60320-C19	IEC60320-C20

Higher uptime with optional POD configuration

When your computer system can not be without power, even for scheduled UPS maintenance, the Liebert MicroPOD Maintenance Bypass and Output Distribution Unit ensures continuous uptime. It allows you to manually transfer connected equipment to utility power via a maintenance bypass switch, permitting scheduled service or UPS replacement without the need to shut down connected equipment.

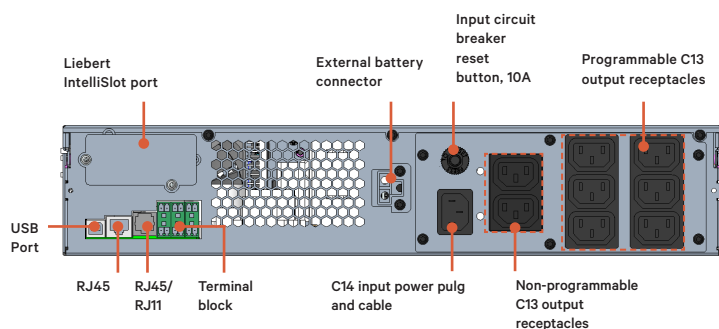
Features include:

- 2U height minimizes rack space requirements
- Easy plug-and-play installation

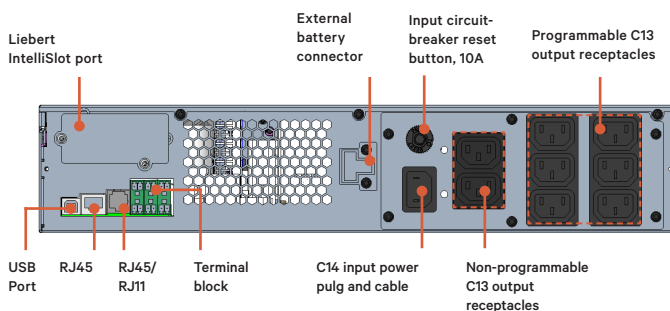


UPS Rear Ranel

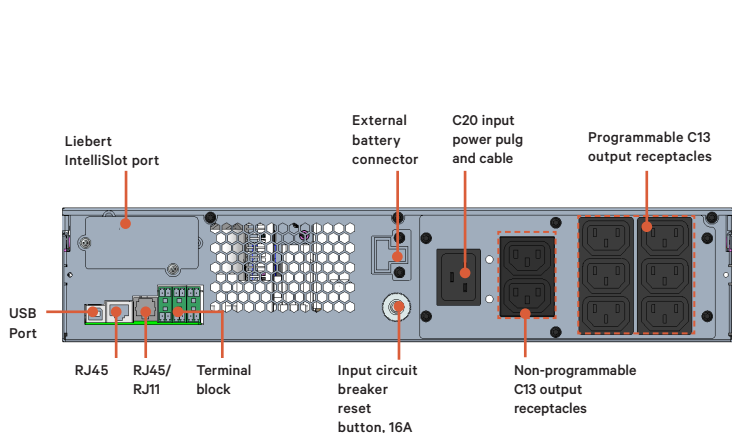
GXT5-750/1000IRT2UXL



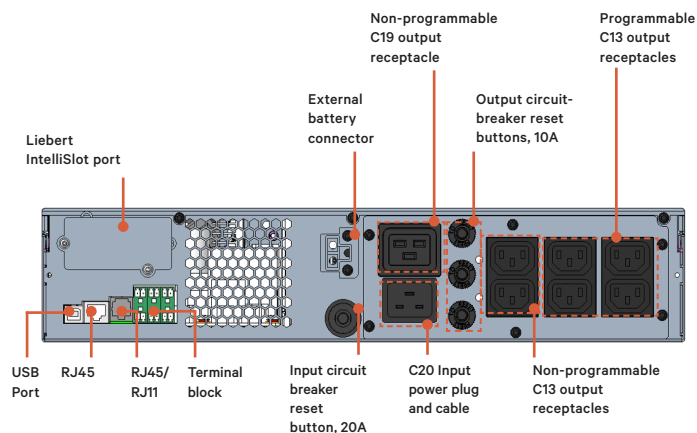
GXT5-1500IRT2UXL



GXT5-2000IRT2UXL



GXT5-3000IRT2UXL



Battery Run Times

750 VA

No. of EBCs	Backup Time (Min)									
	750 W	675 W	600 W	525 W	450 W	375 W	300 W	225 W	150 W	75 W
UPS	10.5	12.1	14.1	16.7	20.4	25.7	33.7	44.1	68.0	135.4
UPS+1 EBC	46.3	53.0	59.7	72.0	84.8	103.2	127.1	163.7	229.0	444.1
UPS+2 EBC	88.3	99.5	112.1	128.2	149.0	178.9	218.3	281.7	401.4	770.8
UPS+3 EBC	130.2	143.9	161.6	183.8	212.4	255.9	316.1	407.9	581.6	1123.4
UPS+4 EBC	170.8	188.3	208.6	238.8	280.7	337.1	416.5	537.8	760.5	1452.2
UPS+5 EBC	208.8	232.1	260.6	298.1	350.0	420.2	519.9	663.9	952.0	1695.4
UPS+6 EBC	251.5	278.8	313.2	358.3	420.3	505.5	620.3	800.6	1147.8	1863.8

1000 VA

No. of EBCs	Backup Time (Min)									
	1000 W	900 W	800 W	700 W	600 W	500 W	400 W	300 W	200 W	100 W
UPS	6.8	8.1	9.6	11.5	14.1	17.8	23.8	33.7	50.1	101.8
UPS+1 EBC	33.3	38.2	43.3	50.7	59.7	76.3	95.8	127.1	179.8	332.7
UPS+2 EBC	62.8	73.0	83.4	95.3	112.1	135.1	168.9	218.3	311.9	584.9
UPS+3 EBC	94.6	107.4	120.8	139.4	161.6	193.0	239.3	316.1	453.2	841.2
UPS+4 EBC	125.7	141.0	160.1	181.7	208.6	251.8	316.4	416.5	595.8	1114.7
UPS+5 EBC	156.3	174.8	197.6	224.1	260.6	314.0	394.3	519.9	736.7	1373.2
UPS+6 EBC	187.0	206.9	235.3	268.6	313.2	377.3	474.5	620.3	888.2	1590.9

1500 VA

No. of EBCs	Backup Time (Min)									
	1500 W	1350 W	1200 W	1050 W	900 W	750 W	600 W	450 W	300 W	150 W
UPS	5.6	6.7	8.2	10.1	12.7	16.3	22.2	32.7	52.8	107.3
UPS+1 EBC	28.2	32.7	38.6	44.5	55.1	70.2	89.2	123.9	187.9	350.3
UPS+2 EBC	54.3	61.7	73.8	85.9	103.5	125.3	159.1	213.1	325.3	612.3
UPS+3 EBC	83.4	93.2	108.4	125.6	148.3	179.9	226.4	309.0	472.1	885.6
UPS+4 EBC	111.2	124.1	142.3	165.6	194.8	234.5	297.8	407.6	618.0	1173.2
UPS+5 EBC	138.5	154.3	176.3	203.4	239.7	292.4	371.9	508.2	769.6	1436.2
UPS+6 EBC	165.8	184.8	208.4	243.0	289.0	351.5	448.5	609.2	927.7	1644.5

2000 VA

No. of EBCs	Backup Time (Min)									
	2000 W	1800 W	1600 W	1400 W	1200 W	1000 W	800 W	600 W	400 W	200 W
UPS	3.2	4.0	5.0	6.3	8.2	10.7	14.8	21.8	36.2	78.5
UPS+1 EBC	18.8	22.0	25.9	31.0	38.5	47.1	63.1	88.2	134.8	258.8
UPS+2 EBC	38.1	42.9	50.1	58.9	73.5	89.2	115.9	156.6	231.0	455.3
UPS+3 EBC	57.1	66.5	78.1	89.2	108.1	131.9	167.7	223.1	334.0	650.5
UPS+4 EBC	79.8	88.9	103.9	119.1	141.9	172.7	216.8	293.8	442.2	861.7
UPS+5 EBC	99.9	113.0	129.3	148.5	175.8	211.1	269.8	366.4	550.0	1078.7
UPS+6 EBC	119.3	136.0	154.3	178.3	208.0	254.6	324.8	441.9	653.9	1289.4

3000 VA

No. of EBCs	Backup Time (Min)									
	3000 W	2700 W	2400 W	2100 W	1800 W	1500 W	1200 W	900 W	600 W	300 W
UPS	3.3	4.1	5.1	6.4	8.3	10.8	14.9	21.9	36.7	78.9
UPS+1 EBC	19.1	22.4	26.2	31.4	38.8	47.5	63.3	88.4	136.3	260.2
UPS+2 EBC	38.7	43.3	50.6	59.4	74.2	89.6	116.1	157.2	233.3	457.8
UPS+3 EBC	57.9	67.6	78.7	89.8	109.0	132.6	168.0	223.8	337.8	654.1
UPS+4 EBC	80.9	89.7	104.8	119.9	143.0	173.6	217.3	294.7	447.1	866.5
UPS+5 EBC	101.6	114.2	130.4	149.5	177.1	212.5	270.3	367.6	556.0	1084.9
UPS+6 EBC	121.1	137.5	155.7	179.5	209.4	256.0	325.4	443.3	660.9	1296.1

Note:

1. Auto-detection of up to 6 external battery cabinets (EBC) but supports EBCs up to 10 numbers.
2. Battery autonomy times are based on operation at 25°C. The autonomy times are approximate and are based on fully charged batteries and can vary +/-5% because of battery manufacturing variances.
3. Runtime tool available at: [Runtime Tool: Liebert GXT5 \(vertiv.com\)](https://www.vertiv.com/runtime-tool)

Comprehensive Services for Critical Systems

Note	Part Number	Description 1	Description 2	Description 3
Need to order both part numbers at the same time to get all scope for Power Emergency package (8x5). Please see SOW below.	88026970	Vertiv UPS with VRLA battery (1-3kVA)	Start-up/Installation	Power Emergency Bundle (8x5)
	88028371		Power Emergency Business Hour Contract (5 Years)	
Need to order both part numbers at the same time to get all scope for Power Emergency package (24x7). Please see SOW below.	88026978	Vertiv UPS with Lithium Ion battery (1-3kVA)	Start-up/Installation	Power Emergency Bundle (24x7)
	88028372		Power Emergency After Hour Contract (5 Years)	

Power Emergency Package (8X5)

The Power Emergency Package provides on-site emergency support with 100% parts and labor coverage and is available for single-phase UPS products up to 3kVA. Adding Vertiv services to your Vertiv UPS with VRLA battery (1-3kVA) ensures you are protected during an emergency. Includes:

- Five-year service coverage
- Guaranteed 2-4hours on-site emergency response, 5 days/week, 8 hours/day, within 100 kms of a Vertiv's Service City.
- Includes 24x7 professional Helpline
- Advanced replacement of the faulty unit
- Shipping costs are covered by Vertiv
- Coverage for both electronic parts and battery failures
- Start-up / Installation services
 - Start-up Services provide on-site technical support for installation and start-up of your UPS for you get up and running as quickly as possible during business hours.
 - Installation includes mounting the new UPS and powering it up
 - Configuring the IS-Webcard and make sure that it is online in their network (optional item)
 - Services performed by a Vertiv factory trained technician

Power Emergency Package (24X7)

The Power Emergency Package provides on-site emergency support with 100% parts and labor coverage and is available for single-phase UPS products up to 3kVA. Adding Vertiv services to your Vertiv UPS with VRLA battery (1-3kVA) ensures you are protected during an emergency. Includes:

- Five-year service coverage
- Guaranteed 2-4hours on-site emergency response, 7 days/week, 24 hours/day, within 100 kms of a Vertiv's Service City.
- Includes 24x7 professional Helpline
- Advanced replacement of the faulty unit
- Shipping costs are covered by Vertiv
- Coverage for both electronic parts and battery failures
- Start-up / Installation services
 - Start-up Services provide on-site technical support for installation and start-up of your UPS for you get up and running as quickly as possible 24x7.
 - Installation includes mounting the new UPS and powering it up
 - Configuring the IS-Webcard and make sure that it is online in their network (optional item)
 - Services performed by a Vertiv factory trained technician

Remote Diagnostic Services for Rapid Response

Data-Driven Insight:

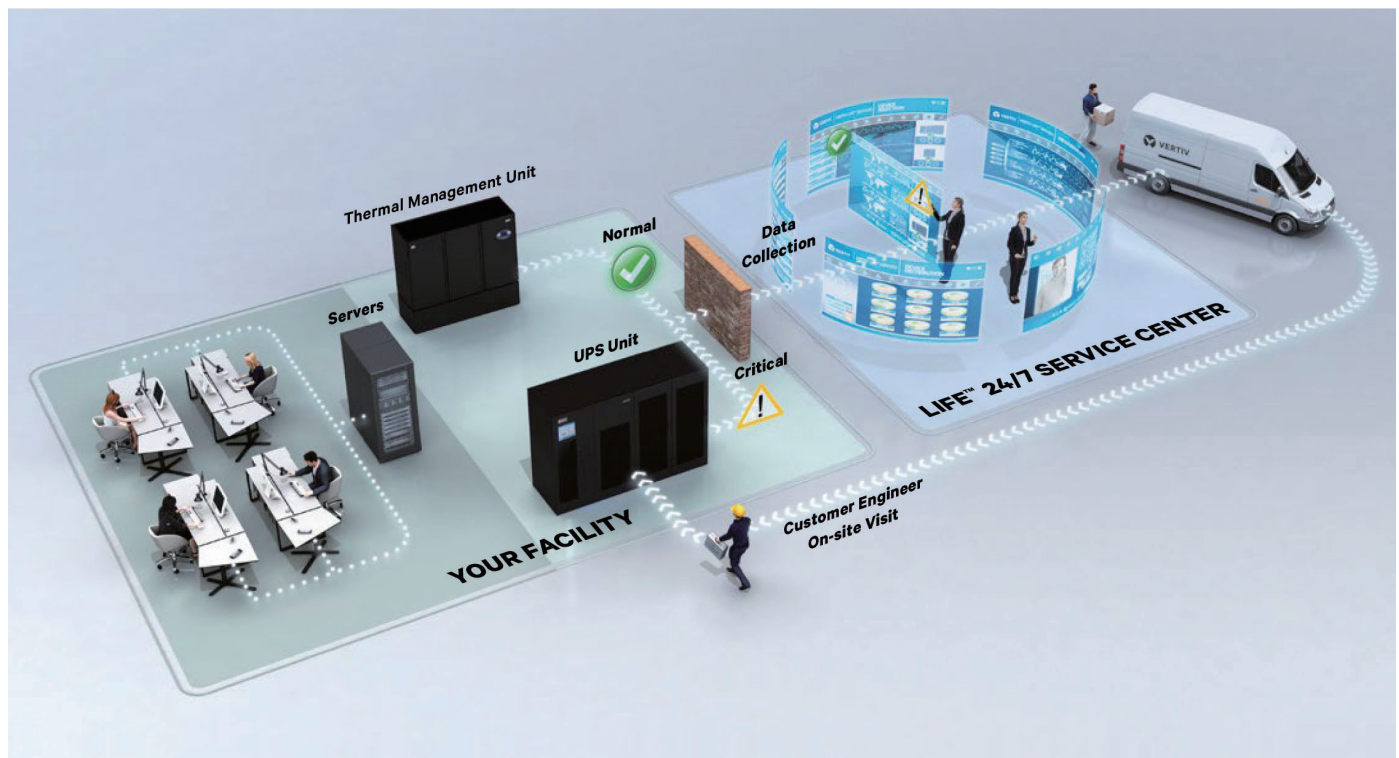
With Life Services you don't just have someone periodically checking equipment status. You have Vertiv experts continuously monitoring and analysing all relevant control and operating parameters from your equipment to maintain optimum performance.

Real-time Response:

Real-time data enables realtime response to potential anomalies. Rather than wait for a problem to be detected by on-site personnel, Vertiv Life Services "sees" operating issues as soon as they occur. It triggers immediate service action to prevent problems or cut hours or days off the time-to-repair, preventing or reducing downtime.

Connected Service:

Vertiv service engineers can resolve many anomalies remotely and are connected to the Vertiv field service organisation for on-site resolution. They can dispatch a field service engineer as soon as a critical condition is identified, often arming the engineer with a diagnosis so they arrive knowing the issue and with any required replacement parts.



Build Your Total Infrastructure Solution with Vertiv

Discover expert designed IT infrastructure solutions with proven success in diverse environments and countless applications.

Vertiv™ Geist™ rPDU

Reliable power distribution with outlet level remote monitoring and management providing the highest level of power visibility and control.

Cable and Air Flow Management

Included accessories ensure proper cable management and airflow to keep your equipment cool.

Software and IT Management

Monitor the entire system either locally or remotely to ensure you are alerted of out-of-range conditions that could result in costly downtime.

Vertiv™ VE Rack

Self-contained 42U server rack designed to simplify equipment installation and provides an additional 6cm of useable depth.

Liebert® GXT5

Protect mission critical equipment in the event of power loss or extreme power fluctuations.



