

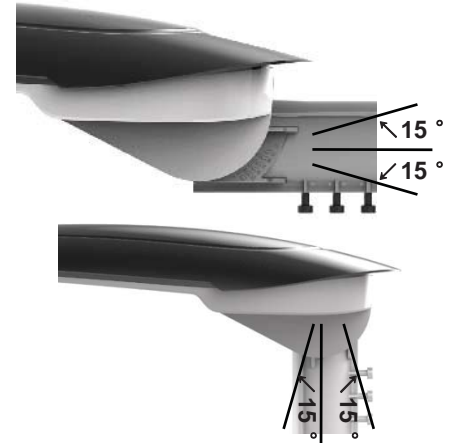
NOVA SLICK

Product Features

- Die-Cast Aluminum ADC12
- Impact resistance: IK09
- Ambient temperature: -40 ~ 50 C
- Light-sensitive control device
- Storage temperature: -40 ~ 80 C
- Insulation Class: CLASS I
- Protection: IP66
- Lightning Level: 10KV UL \ CE standard version

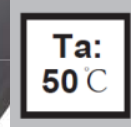
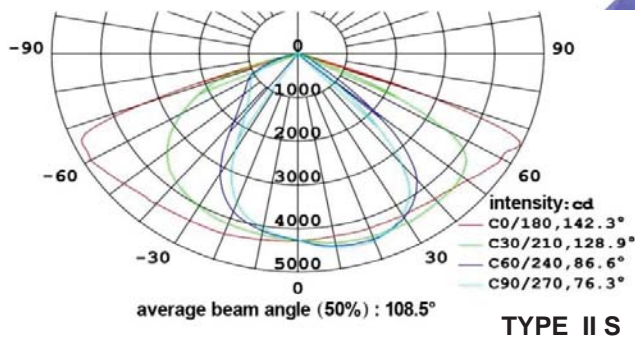


The Aerodynamic Design,
Reduce drag



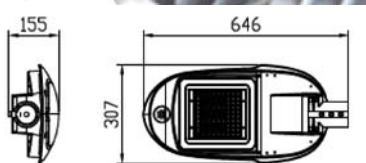
When Horizontal / Vertical Install LED Light
Adjust Angle is +15 Degree

Light distribution curve

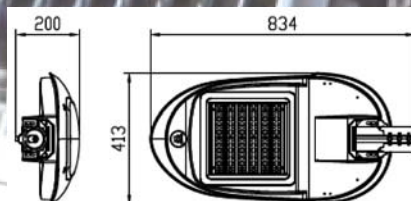


Description	Input Voltage (V)	Wattage (W)	Lumen Output (lm)	Efficiency (lm/W)	PF	THD (%)	Color Temp (K)	CRI	Average Lifetime (hrs)	Weight (KG)
NOVA SLICK 40	120-240	40	4800	120	>0.95	<15	4000 K	70	>50,000	6.1
NOVA SLICK 60	120-240	60	7200	120	>0.95	<15	4000 K	70	>50,000	6.1
NOVA SLICK 80	120-240	80	9600	120	>0.95	<15	4000 K	70	>50,000	9.7
NOVA SLICK 100	120-240	100	12000	120	>0.95	<15	4000 K	70	>50,000	10
NOVA SLICK 120	120-240	120	14400	120	>0.95	<15	4000 K	70	>50,000	10
NOVA SLICK 140	120-240	140	16800	120	>0.95	<15	4000 K	70	>50,000	13
NOVA SLICK 160	120-240	160	19200	120	>0.95	<15	4000 K	70	>50,000	13
NOVA SLICK 180	120-240	180	21600	120	>0.95	<15	4000 K	70	>50,000	13
NOVA SLICK 200	120-240	200	24000	120	>0.95	<15	4000 K	70	>50,000	13

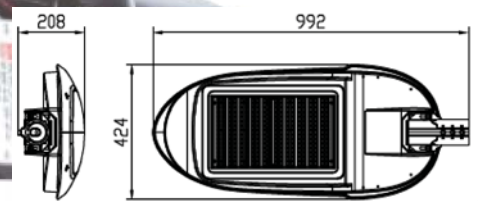
Color Temp : 3000K, 4000K, 6500K



40W 60W



80W 100W 120W



140W 160W 180W 200W